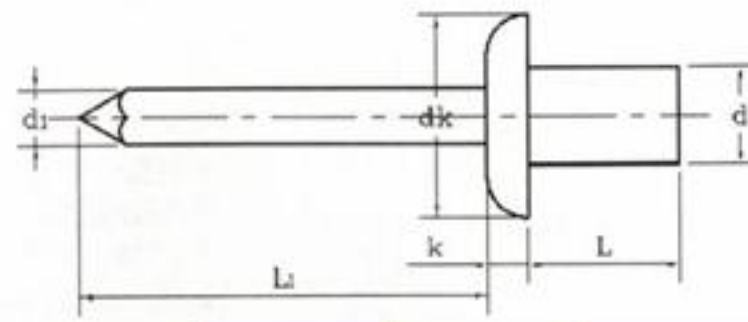


**Stainless Steel / Stainless Steel**  
**Close-ended Type**  
**Blind Rivet**  
**Countersunk Head**

Length Unit: mm

d	L	Grip Range		Hole Size Φ	dk	k max	d <sub>1</sub> max	L <sub>1</sub> min	Minimum Compressive N	Minimum Shear Force N
		min	max							
Φ3.2 +0.08 -0.15	6.0	0.5	1.5	3.3-3.4	5.8-6.7	1.3	2.15	27	2200	2000
	8.0	1.5	3.0							
	9.5	3.0	4.5							
	12.0	5.0	6.5							
	14.0	6.5	8.0							
Φ4.0 +0.08 -0.15	6.0	0.5	1.5	4.1-4.2	6.9-8.4	1.7	2.75	27	3500	3000
	8.0	1.5	3.0							
	9.5	3.0	5.0							
	12.0	5.0	6.5							
	14.0	6.5	8.0							
16.0	8.0	11.0								
Φ4.8 +0.08 -0.15	8.0	0.5	3.0	4.9-5.0	8.3-10.1	2	3.2	27	4400	4000
	9.5	3.0	5.0							
	12.0	5.0	6.5							
	14.0	5.0	7.5							
	16.0	6.5	9.0							
	18.0	8.0	10.5							
20.0	9.0	12.0								
Φ6.4 +0.08 -0.15	12.0	1.5	6.5	6.5-6.6	11.6-13.4	2.7	3.9	27	8000	6000
	16.0	6.5	8.0							
	18.0	8.0	10.0							
	20.0	8.0	12.0							
	25.0	12.0	17.0							

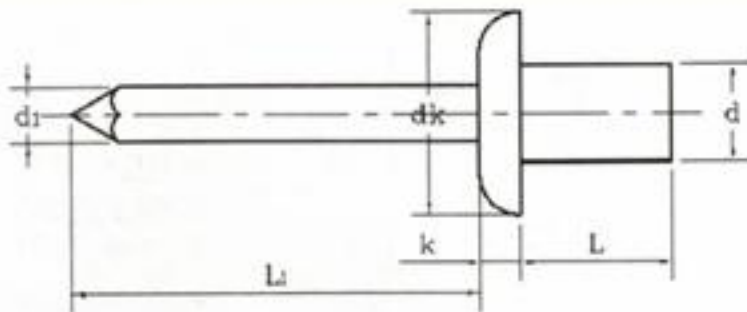


**Aluminum/Steel  
Close-ended Type  
Blind Rivet  
Dome Head**

Length Unit: mm

d	L ±0.99	Grip Range		Hole Size Φ	dk	k max	d <sub>1</sub> max	L <sub>1</sub> min	Minimum Compressive N	Minimum Shear Force N
		min	max							
Φ3.2 +0.08 -0.15	6.5	0.5	2.0	3.3-3.4	5.8-6.7	1.3	2.0	27	1248	1070
	8.0	2.0	3.5							
	9.5	3.5	5.0							
	11.0	5.0	6.5							
	12.5	6.5	8.0							
Φ4.0 +0.15 -0.15	8.0	0.5	3.5	4.1-4.2	6.9-8.4	1.7	2.45	27	2140	1560
	9.5	3.5	5.0							
	11.0	5.0	6.5							
	12.5	6.5	8.0							
	15.0	8.0	10.5							
Φ4.8 +0.15 -0.15	8.0	1.0	3.0	4.9-5.0	8.3-10.1	2.0	3.0	27	3075	2228
	9.5	3.0	5.0							
	11.0	5.0	6.5							
	13.0	6.5	8.0							
	14.5	8.0	9.5							
	16.0	9.5	11.0							
	18.0	11.0	13.0							
	21.0	13.0	16.0							
25.0	16.0	20.0								
Φ6.4 +0.15 -0.15	12.5	1.5	6.0	6.5-6.6	11.6-13.4	2.7	3.9	27	4900	4000
	16.0	6.0	8.5							
	18.0	8.5	10.5							
	20.0	10.5	12.5							
	25.0	12.5	17.5							

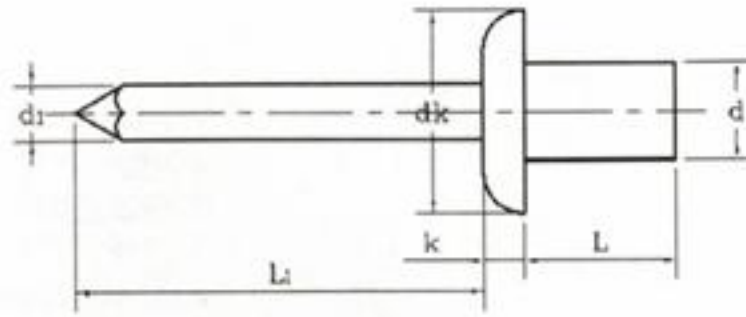




**Stainless Steel /  
Stainless Steel  
Close-ended Type  
Blind Rivet  
Dome Head**

Length Unit: mm

d	L	Grip Range		Hole Size Φ	dk	k	d <sub>1</sub>	L <sub>1</sub>	Minimum Compressive N	Minimum Shear Force N
		min	max							
Φ3.2 +0.08 -0.15	6.0	0.5	1.5	3.3-3.4	5.8-6.7	1.3	2.15	27	2200	2000
	8.0	1.5	3.0							
	9.5	3.0	4.5							
	12.0	5.0	6.5							
	14.0	6.5	8.0							
Φ4.0 +0.08 -0.15	6.0	0.5	1.5	4.1-4.2	6.9-8.4	1.7	2.75	27	3500	3000
	8.0	1.5	3.0							
	9.5	3.0	5.0							
	12.0	5.0	6.5							
	14.0	6.5	8.0							
16.0	8.0	11.0								
Φ4.8 +0.08 -0.15	8.0	0.5	3.0	4.9-5.0	8.3-10.1	2	3.2	27	4400	4000
	9.5	3.0	5.0							
	12.0	5.0	6.5							
	14.0	5.0	7.5							
	16.0	6.5	9.0							
	18.0	8.0	10.5							
20.0	9.0	12.0								
Φ6.4 +0.08 -0.15	12.0	1.5	6.5	6.5-6.6	11.6-13.4	2.7	3.9	27	8000	6000
	16.0	6.5	8.0							
	18.0	8.0	10.0							
	20.0	8.0	12.0							
	25.0	12.0	17.0							



**Steel/Steel  
Close-ended Type  
Blind Rivet  
Dome Head**

Length Unit: mm

d	L	Grip Range		Hole Size	dk	k	d <sub>1</sub>	L <sub>1</sub>	Minimum Compressive N	Minimum Shear Force N
		min	max							
Φ3.2 +0.08 -0.15	6.0	0.5	1.5	3.3-3.4	5.8-6.7	1.3	2.15	27	1300	1150
	8.0	1.5	3.0							
	9.5	3.0	5.0							
	12.0	5.0	6.5							
Φ4.0 +0.15 -0.15	6.0	0.5	1.5	4.1-4.2	6.9-8.4	1.7	2.45	27	1550	1700
	8.0	1.5	3.0							
	10.0	3.0	5.0							
	12.0	5.0	6.5							
	15.0	6.5	10.5							
Φ4.8 +0.15 -0.15	8.0	0.5	3.0	4.9-5.0	8.3-10.1	2.0	3.2	27	2800	2400
	10.0	3.0	5.0							
	12.5	5.0	6.5							
	15.0	6.5	10.5							
	18.0	9.5	12.5							
	21.0	13.0	16.0							
Φ6.4 +0.15 -0.15	15.0	3.0	6.5	6.5-6.6	11.6-13.4	2.7	3.9	27	4000	3600
	16.0	6.5	8.0							
	21.0	8.0	12.5							