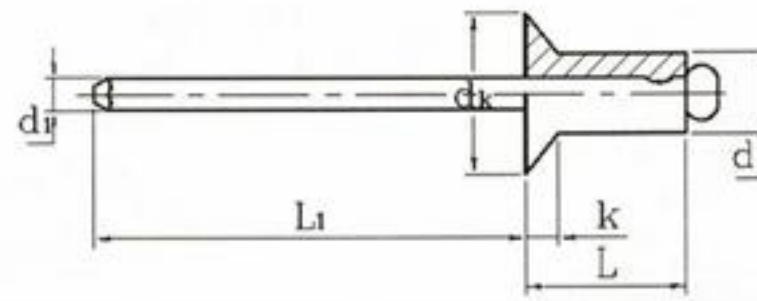


**Aluminum/Steel
Blind Rivet
Countersunk Head**

Length Unit: mm

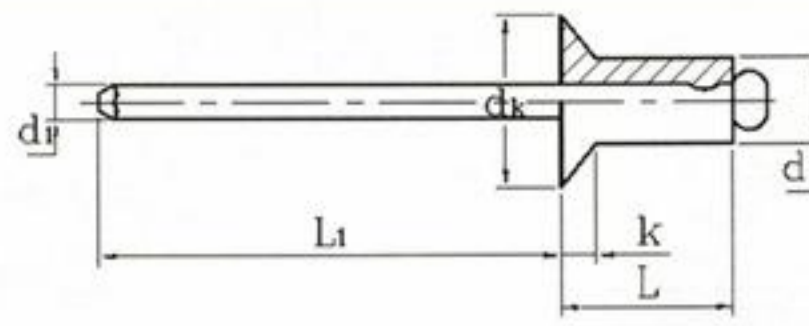
d	L	Grip Range		Hole Size Φ	dk	k	d ₁	L ₁	Minimum Compressive N	Minimum Shear Force N
		min	max							
Φ2.4 +0.08 -0.15	4.0	0.5	2.0	2.5-2.6	4.2-4.8	1.0	1.6	27	AlMg1.5 280N	AlMg1.5 180N
	6.0	2.0	4.0							
	8.0	4.0	6.0							
	10.0	6.0	8.0							
	12.0	7.0	9.5							
	14.0	8.0	11.5							
16.0	10.0	13.0						AlMg3.5 500N	AlMg3.5 350N	
									AlMg5.0 600N	AlMg5.0 450N
Φ3.0 +0.08 -0.15	6.0	1.0	3.5	3.1-3.2	5.2-6.3	1.3	2.0	27	AlMg1.5 400N	AlMg1.5 300N
	8.0	3.5	5.0							
	10.0	5.0	7.0							
	12.0	7.0	9.0							
	14.0	9.0	11.0							
	16.0	9.0	12.5							
	18.0	12.0	14.5							
	20.0	13.0	16.5							
								AlMg3.5 700N	AlMg3.5 550N	
									AlMg5.0 900N	AlMg5.0 750N
Φ3.2 +0.08 -0.15	6.0	1.0	3.5	3.3-3.4	5.4-6.3	1.3	2.0	27	AlMg1.5 500N	AlMg1.5 400N
	8.0	3.5	5.0							
	10.0	5.0	7.0							
	12.0	7.0	9.0							
	14.0	9.0	11.0							
	16.0	9.0	12.5							
	18.0	12.0	14.5							
	20.0	13.0	16.5							
	25.0	15.0	21.0							
								AlMg3.5 1000N	AlMg3.5 750N	
									AlMg5.0 1100N	AlMg5.0 850N
Φ4.0 +0.08 -0.15	6.0	1.0	3.0	4.1-4.2	6.9-7.5	1.7	2.5	27	AlMg1.5 1000N	AlMg1.5 800N
	8.0	3.0	5.0							
	10.0	4.0	6.5							
	12.0	6.0	8.5							
	14.0	7.0	10.5							
	16.0	8.0	12.5							
	18.0	10.0	14.5							
	20.0	12.0	16.0							
	25.0	16.0	21.0							
	30.0	21.0	26.0							
	35.0	26.0	30.5							
40.0	30.5	35.0					AlMg2.5 1200N	AlMg2.5 850N		
									AlMg3.5 1700N	AlMg3.5 1100N
									AlMg5.0 2000N	AlMg5.0 1400N
Φ4.8 +0.08 -0.15	6.0	1.0	2.5	4.9-5.0	8.3-9.5	2.0	3.0	27	AlMg1.5 1500N	AlMg1.5 1300N
	8.0	2.5	4.0							
	10.0	4.0	6.0							
	12.0	6.0	8.0							
	14.0	8.0	10.0							
	16.0	8.0	12.0							
	18.0	10.0	14.0							
	20.0	12.0	16.0							
	25.0	16.0	21.0							
	30.0	21.0	25.0							
	35.0	25.0	30.0							
	40.0	30.0	35.0							
	50.0	40.0	45.0							
									AlMg3.5 2500N	AlMg3.5 1700N
									AlMg5.0 3000N	AlMg5.0 2000N

Blind Rivets



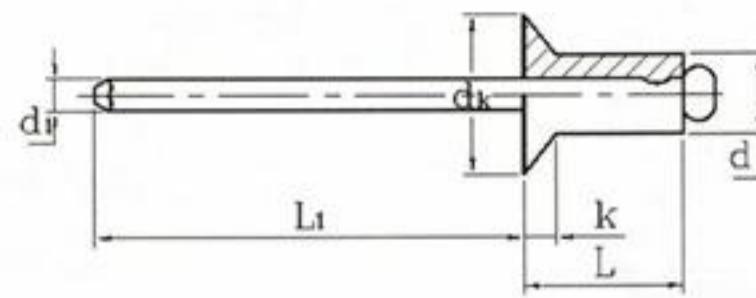
Length Unit: mm

d	L	Grip Range		Hole Size Φ	dk	k max	d ₁ max	L ₁ min	Minimum Compressive N	Minimum Shear Force N
		min	max							
Φ3.0 +0.08 -0.15	6.0	1.0	3.5	3.1-3.2	5.4-6.3	1.3	2.1	27	2200	1800
	8.0	3.5	5.0							
	10.0	5.0	7.0							
	12.0	7.0	9.0							
	14.0	9.0	11.0							
	16.0	9.0	12.5							
	18.0	12.0	14.5							
20.0	13.0	16.5								
Φ3.2 +0.08 -0.15	6.0	1.0	3.5	3.3-3.4	5.8-6.3	1.3	2.1	27	2500	1900
	8.0	3.5	5.0							
	10.0	5.0	7.0							
	12.0	7.0	9.0							
	14.0	9.0	11.0							
	16.0	9.0	12.5							
	18.0	12.0	14.5							
20.0	13.0	16.5								
25.0	15.0	21.5								
Φ4.0 +0.08 -0.15	6.0	1.0	3.0	4.1-4.2	6.9-7.5	1.7	2.6	27	3500	2700
	8.0	3.0	5.0							
	10.0	4.0	6.5							
	12.0	6.0	8.5							
	14.0	7.0	10.5							
	16.0	8.0	12.5							
	18.0	10.0	14.5							
	20.0	12.0	16.0							
	25.0	16.0	21.0							
	30.0	21.0	26.0							
35.0	26.0	30.5								
40.0	30.5	35.0								
Φ4.8 +0.08 -0.15	6.0	1.0	2.5	4.9-5.0	8.3-9.5	2.0	3.1	27	5000	4000
	8.0	2.5	4.0							
	10.0	4.0	6.0							
	12.0	6.0	8.0							
	14.0	8.0	10.0							
	16.0	8.0	12.0							
	18.0	10.0	14.0							
	20.0	12.0	16.0							
	25.0	16.0	21.0							
	30.0	21.0	25.0							
	35.0	25.0	30.0							
	40.0	30.0	35.0							
45.0	35.0	40.0								
50.0	40.0	45.0								



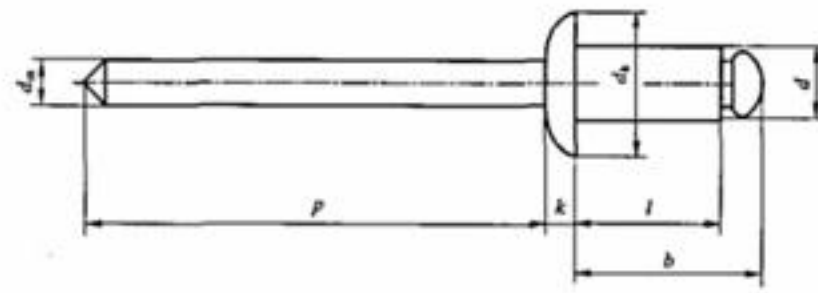
Length Unit: mm

d	L	Grip Range		Hole Size Φ	dk	k max	d ₁ max	L ₁ min	Minimum Compressive N	Minimum Shear Force N
		min	max							
Φ3.0 +0.08 -0.15	6.0	1.0	3.5	3.1-3.2	5.4-6.3	1.3	2.1	27	2200	1800
	8.0	3.5	5.0							
	10.0	5.0	7.0							
	12.0	7.0	9.0							
	14.0	9.0	11.0							
	16.0	9.0	12.5							
	18.0	12.0	14.5							
20.0	13.0	16.5								
Φ3.2 +0.08 -0.15	6.0	1.0	3.5	3.3-3.4	5.8-6.3	1.3	2.1	27	2500	1900
	8.0	3.5	5.0							
	10.0	5.0	7.0							
	12.0	7.0	9.0							
	14.0	9.0	11.0							
	16.0	9.0	12.5							
	18.0	12.0	14.5							
20.0	13.0	16.5								
25.0	15.0	21.5								
Φ4.0 +0.08 -0.15	6.0	1.0	3.0	4.1-4.2	6.9-7.5	1.7	2.6	27	3500	2700
	8.0	3.0	5.0							
	10.0	4.0	6.5							
	12.0	6.0	8.5							
	14.0	7.0	10.5							
	16.0	8.0	12.5							
	18.0	10.0	14.5							
	20.0	12.0	16.0							
	25.0	16.0	21.0							
	30.0	21.0	26.0							
35.0	26.0	30.5								
40.0	30.5	35.0								
Φ4.8 +0.08 -0.15	6.0	1.0	2.5	4.9-5.0	8.3-9.5	2.0	3.1	27	5000	4000
	8.0	2.5	4.0							
	10.0	4.0	6.0							
	12.0	6.0	8.0							
	14.0	8.0	10.0							
	16.0	8.0	12.0							
	18.0	10.0	14.0							
	20.0	12.0	16.0							
	25.0	16.0	21.0							
	30.0	21.0	25.0							
	35.0	25.0	30.0							
	40.0	30.0	35.0							
45.0	35.0	40.0								
50.0	40.0	45.0								



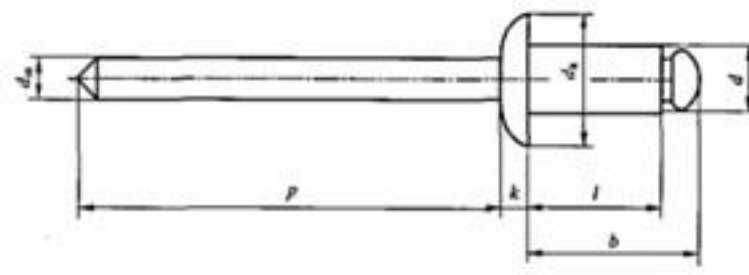
Length Unit: mm

d	L	Grip Range		Hole Size Φ	dk	k max	d ₁ max	L ₁ min	Minimum Compressive N	Minimum Shear Force N
		min	max							
Φ3.0 +0.08 -0.15	6.0	1.0	3.5	3.1-3.2	5.4-6.3	1.3	2.1	27	1100	1000
	8.0	3.5	5.0							
	10.0	5.0	7.0							
	12.0	7.0	9.0							
	14.0	9.0	11.0							
	16.0	9.0	12.5							
	18.0	12.0	14.5							
	20.0	13.0	16.5							
Φ3.2 +0.10 -0.10	6.0	1.0	3.5	3.3-3.4	5.8-6.3	1.3	2.1	27	1200	1100
	8.0	3.5	5.0							
	10.0	5.0	7.0							
	12.0	7.0	9.0							
	14.0	9.0	11.0							
	16.0	9.0	12.5							
	18.0	12.0	14.5							
	20.0	13.0	16.5							
25.0	15.0	21.5								
Φ4.0 +0.08 -0.15	6.0	1.0	3.0	4.1-4.2	6.9-7.5	1.7	2.6	27	2000	1700
	8.0	3.0	5.0							
	10.0	4.0	6.5							
	12.0	6.0	8.5							
	14.0	7.0	10.5							
	16.0	8.0	12.5							
	18.0	10.0	14.5							
	20.0	12.0	16.0							
	25.0	16.0	21.0							
	30.0	21.0	26.0							
35.0	26.0	30.5								
40.0	30.5	35.0								
Φ4.8 +0.08 -0.15	6.0	1.0	2.5	4.9-5.0	8.3-9.5	2.0	3.1	27	3100	2900
	8.0	2.5	4.0							
	10.0	4.0	6.0							
	12.0	6.0	8.0							
	14.0	8.0	10.0							
	16.0	9.0	12.0							
	18.0	10.0	14.0							
	20.0	12.0	16.0							
	25.0	16.0	21.0							
	30.0	21.0	25.0							
	35.0	25.0	30.0							
	40.0	30.0	35.0							
45.0	35.0	40.0								
50.0	40.0	45.0								



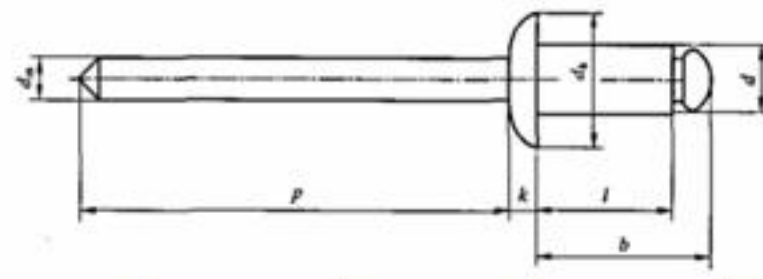
Length Unit: mm

d	L	Grip Range		Hole Size	dk	k	dm	p	Minimum Compressive	Minimum Shear Force
	±0.99	min	max	Φ		max	max	min	N	N
Φ3.2 +0.08 -0.15	6.0	1.0	3.5	3.3-3.4	5.8-6.7	1.3	2.0	27	400	350
	8.0	3.5	5.0							
	10.0	5.0	7.0							
	12.0	7.0	9.0							
	14.0	9.0	11.0							
	16.0	9.0	12.5							
	18.0	12.0	14.5							
	20.0	13.0	16.5							
	25.0	15.0	21.0							
Φ4.0 +0.08 -0.15	6.0	1.0	3.0	4.1-4.2	6.9-8.4	1.7	2.5	27	900	700
	8.0	3.0	5.0							
	10.0	4.0	6.5							
	12.0	6.0	8.5							
	14.0	7.0	10.5							
	16.0	8.0	12.5							
	18.0	10.0	14.5							
	20.0	12.0	16.0							
	25.0	16.0	21.0							
	30.0	21.0	26.0							
35.0	26.0	30.5								
40.0	30.5	35.0								
Φ4.8 +0.08 -0.15	6.0	1.0	2.5	4.9-5.0	8.3-10.1	2.0	3.0	27	1300	850
	8.0	2.5	4.0							
	10.0	4.0	6.0							
	12.0	6.0	8.0							
	14.0	8.0	10.0							
	16.0	8.0	12.0							
	18.0	10.0	14.0							
	20.0	12.0	16.0							
	25.0	16.0	21.0							
	30.0	21.0	25.0							
	35.0	25.0	30.0							
	40.0	30.0	35.0							
50.0	40.0	45.0								



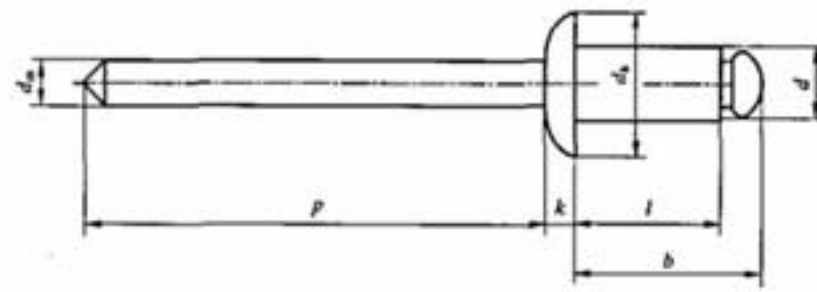
Length Unit: mm

d	L ±0.99	Grip Range		Hole Size Φ	dk	k max	dm max	p min	Minimum Compressive N	Minimum Shear Force N
		min	max							
Φ3.0 +0.08 -0.15	6.0	1.0	3.5	3.1-3.2	5.4-6.3	1.3	2.1	27	2200	1800
	8.0	3.5	5.0							
	10.0	5.0	7.0							
	12.0	7.0	9.0							
	14.0	9.0	11.0							
	16.0	9.0	12.5							
	18.0	12.0	14.5							
20.0	13.0	16.5								
Φ3.2 +0.08 -0.15	6.0	1.0	3.5	3.3-3.4	5.8-6.7	1.3	2.1	27	2500	1900
	8.0	3.5	5.0							
	10.0	5.0	7.0							
	12.0	7.0	9.0							
	14.0	9.0	11.0							
	16.0	9.0	12.5							
	18.0	12.0	14.5							
20.0	13.0	16.5								
25.0	15.0	21.5								
Φ4.0 +0.08 -0.15	6.0	1.0	3.0	4.1-4.2	6.9-8.4	1.7	2.6	27	3500	2700
	8.0	3.0	5.0							
	10.0	4.0	6.5							
	12.0	6.0	8.5							
	14.0	7.0	10.5							
	16.0	8.0	12.5							
	18.0	10.0	14.5							
	20.0	12.0	16.0							
	25.0	16.0	21.0							
	30.0	21.0	26.0							
35.0	26.0	30.5								
40.0	30.5	35.0								
Φ4.8 +0.08 -0.15	6.0	1.0	2.5	4.9-5.0	8.3-10.1	2.0	3.1	27	5000	4000
	8.0	2.5	4.0							
	10.0	4.0	6.0							
	12.0	6.0	8.0							
	14.0	8.0	10.0							
	16.0	8.0	12.0							
	18.0	10.0	14.0							
	20.0	12.0	16.0							
	25.0	16.0	21.0							
	30.0	21.0	25.0							
35.0	25.0	30.0								
40.0	30.0	35.0								
45.0	35.0	40.0								
50.0	40.0	45.0								
Φ6.4 +0.08 -0.15	8.0	1.5	3.0	6.5-6.6	11.6-13.4	2.7	4.2	27	9300	7500
	10.0	2.0	4.0							
	12.0	3.0	6.0							
	14.0	6.0	8.0							
	16.0	6.0	10.0							
	18.0	8.0	12.0							
	20.0	10.0	14.0							
	25.0	14.0	18.0							
	30.0	18.0	23.0							
35.0	23.0	28.0								
40.0	28.0	33.0								



Length Unit: mm

d	L ±0.99	Grip Range		Hole Size Φ	dk	k max	dm max	p min	Minimum Compressive N	Minimum Shear Force N
		min	max							
Φ3.0 +0.08 -0.15	6.0	1.0	3.5	3.1-3.2	5.4-6.3	1.3	2.1	27	2200	1800
	8.0	3.5	5.0							
	10.0	5.0	7.0							
	12.0	7.0	9.0							
	14.0	9.0	11.0							
	16.0	9.0	12.5							
	18.0	12.0	14.5							
20.0	13.0	16.5								
Φ3.2 +0.08 -0.15	6.0	1.0	3.5	3.3-3.4	5.8-6.7	1.3	2.1	27	2500	1900
	8.0	3.5	5.0							
	10.0	5.0	7.0							
	12.0	7.0	9.0							
	14.0	9.0	11.0							
	16.0	9.0	12.5							
	18.0	12.0	14.5							
20.0	13.0	16.5								
25.0	15.0	21.5								
Φ4.0 +0.08 -0.15	6.0	1.0	3.0	4.1-4.2	6.9-8.4	1.7	2.6	27	3500	2700
	8.0	3.0	5.0							
	10.0	4.0	6.5							
	12.0	6.0	8.5							
	14.0	7.0	10.5							
	16.0	8.0	12.5							
	18.0	10.0	14.5							
	20.0	12.0	16.0							
	25.0	16.0	21.0							
	30.0	21.0	26.0							
35.0	26.0	30.5								
40.0	30.5	35.0								
Φ4.8 +0.08 -0.15	6.0	1.0	2.5	4.9-5.0	8.3-10.1	2.0	3.1	27	5000	4000
	8.0	2.5	4.0							
	10.0	4.0	6.0							
	12.0	6.0	8.0							
	14.0	8.0	10.0							
	16.0	8.0	12.0							
	18.0	10.0	14.0							
	20.0	12.0	16.0							
	25.0	16.0	21.0							
	30.0	21.0	25.0							
35.0	25.0	30.0								
40.0	30.0	35.0								
45.0	35.0	40.0								
50.0	40.0	45.0								
Φ6.4 +0.08 -0.15	8.0	1.5	3.0	6.5-6.6	11.6-13.4	2.7	4.2	27	9300	7500
	10.0	2.0	4.0							
	12.0	3.0	6.0							
	14.0	6.0	8.0							
	16.0	6.0	10.0							
	18.0	8.0	12.0							
	20.0	10.0	14.0							
	25.0	14.0	18.0							
	30.0	18.0	23.0							
35.0	23.0	28.0								
40.0	28.0	33.0								



Length Unit: mm

d	L	Grip Range		Hole Size Φ	dk	k max	dm max	p min	Minimum Compressive N	Minimum Shear Force N
		min	max							
Φ2.4 +0.08 -0.15	4.0	0.5	2.0	2.5-2.6	4.2-5.0	1.0	1.6	27	700	500
	6.0	2.0	4.0							
	8.0	4.0	6.0							
	10.0	6.0	8.0							
	12.0	7.0	9.5							
	14.0	8.0	11.5							
16.0	10.0	13.0								
Φ3.0 +0.08 -0.15	6.0	1.0	3.5	3.1-3.2	5.4-6.3	1.3	2.1	27	1100	1000
	8.0	3.5	5.0							
	10.0	5.0	7.0							
	12.0	7.0	9.0							
	14.0	9.0	11.0							
	16.0	9.0	12.5							
	18.0	12.0	14.5							
20.0	13.0	16.5								
Φ3.2 +0.10 -0.10	6.0	1.0	3.5	3.3-3.4	5.8-6.7	1.3	2.1	27	1200	1100
	8.0	3.5	5.0							
	10.0	5.0	7.0							
	12.0	7.0	9.0							
	14.0	9.0	11.0							
	16.0	9.0	12.5							
	18.0	12.0	14.5							
20.0	13.0	16.5								
25.0	15.0	21.5								
Φ4.0 +0.08 -0.15	6.0	1.0	3.0	4.1-4.2	6.9-8.4	1.7	2.6	27	2000	1700
	8.0	3.0	5.0							
	10.0	4.0	6.5							
	12.0	6.0	8.5							
	14.0	7.0	10.5							
	16.0	8.0	12.5							
	18.0	10.0	14.5							
	20.0	12.0	16.0							
	25.0	16.0	21.0							
	30.0	21.0	26.0							
35.0	26.0	30.5								
40.0	30.5	35.0								
Φ4.8 +0.08 -0.15	6.0	1.0	2.5	4.9-5.0	8.3-10.1	2.0	3.1	27	3100	2900
	8.0	2.5	4.0							
	10.0	4.0	6.0							
	12.0	6.0	8.0							
	14.0	8.0	10.0							
	16.0	9.0	12.0							
	18.0	10.0	14.0							
	20.0	12.0	16.0							
	25.0	16.0	21.0							
	30.0	21.0	25.0							
	35.0	25.0	30.0							
40.0	30.0	35.0								
45.0	35.0	40.0								
50.0	40.0	45.0								
Φ6.4 +0.08 -0.15	8.0	1.5	3.0	6.5-6.6	11.6-13.4	2.7	4.2	27	5700	4900
	10.0	2.0	4.0							
	12.0	3.0	6.0							
	14.0	6.0	8.0							
	16.0	6.0	10.0							
	18.0	8.0	12.0							
	20.0	10.0	14.0							
	25.0	14.0	18.0							
	30.0	18.0	23.0							
	35.0	23.0	28.0							
40.0	28.0	33.0								